

L型支架- L-shaped bracket –



規格

材料：2mm 硬鋁板

表處：噴砂氧化

尺寸：35X30mm

顏色：黑白兩色

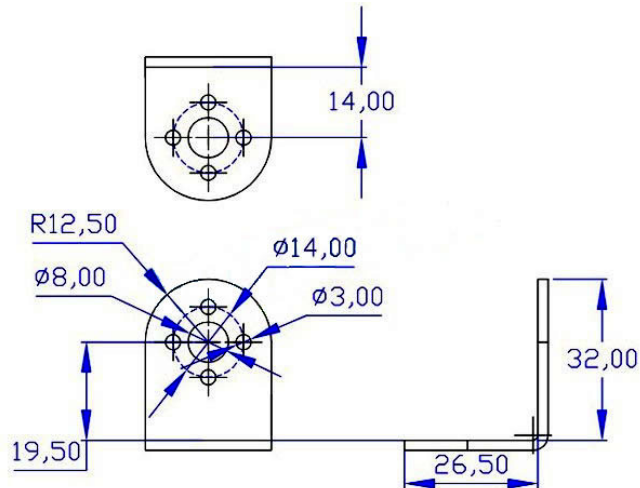
Specification

Material: 2mm hard aluminum plate

Surface treatment: sandblasting oxidation

Size: 35X30mm

Color: black and white



適合韓國的 HS322、HS422，輝盛的 MG995、MG996、SG5010 等舵機，支持 Hitec、Parallax、Futaba、輝盛等品牌（尺寸為 40x20x36mm 左右）標準舵機。

支架孔位元誤差為正負 0.1mm，鈹金角度誤差為 5 度，鈹金彎位誤差為 0.5mm，材料為 2mm 厚的 60 系列硬鋁板，硬度高，品質輕，工藝精度非常高。

Suitable for Korea HS322, HS422, 輝盛 MG995, MG996, SG5010 servos, and support Hitec, Parallax, Futaba, Towardpro brand (the size of about 40 × 20 × 36mm) standard servos.

The bracket is manufactured by CNC machine, therefore the error is plus or minus 0.5mm. The sheet metal bending angle error is about 5 degrees and the sheet metal bends error of 0.5 mm. The material is 2mm thick 60 series hard aluminum plate with high hardness, light quality and very high precision.